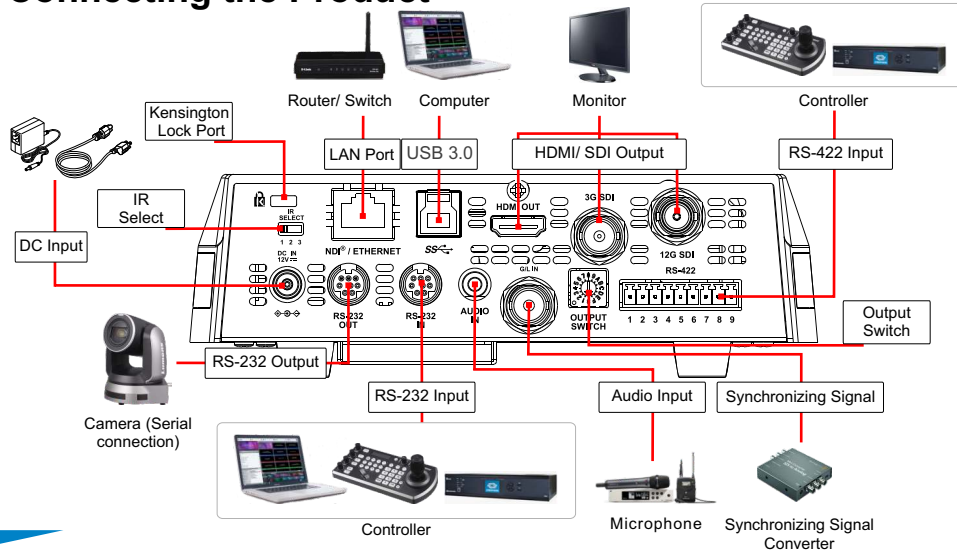


1. Connecting the Product



2. Instruction on SWITCH setting

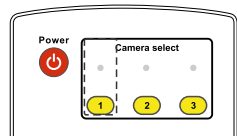
2.1 OUTPUT SWITCH



*The factory setting for the resolution is 2160p/59.94
 *When setting 2160p, 3G-SDI will adjust to 1080P output based on the ratio.

2.2 IR SELECT

When Camera IR SELECT setting is done, the camera can be switched in turn and controlled by Camera Select on remote control.

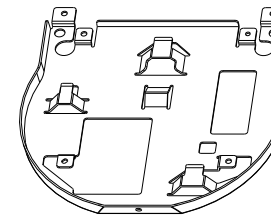


ID	Setting
1	<input type="checkbox"/>
2	<input type="checkbox"/>
3	<input type="checkbox"/>

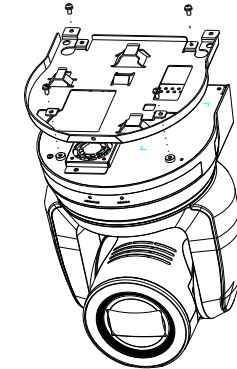
Setting	Output Mode
0	2160p/59.94
1	2160p/50
2	2160p/29.97
3	2160p/25
4	1080p/59.94
5	1080p/50
6	1080p/29.97
7	1080p/25
8	720p/59.94
9	720p/50
A	720p/29.97
B	720p/25
C	1080i/59.94
D	1080i/50
E	Reserved
F	Reserved

3. Installation Step

- 3.1 Please adjust the resolution on **DIP SWITCH** prior to installation.
(Please refer to [2. Instruction on SWITCH setting](#))
- 3.2 Remove 4 pieces of foot pads on the bottom of the camera by rotating the foot pads counterclockwise.
*Please keep the foot pads properly after removal and store them for future use.
- 3.3 Fix the metal plate **A** on the machine base with **4 M3 silver screws**.



metal plate A



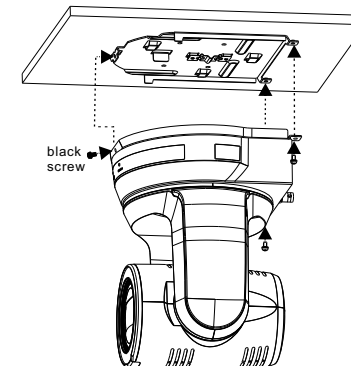
3.4 Lock the metal plate **B** on ceiling mounted hanger

***Caution:**

- (1) Please use the hanger that has obtained UL security approval.
- (2) Please reserve the hole for the connecting wires of the camera.

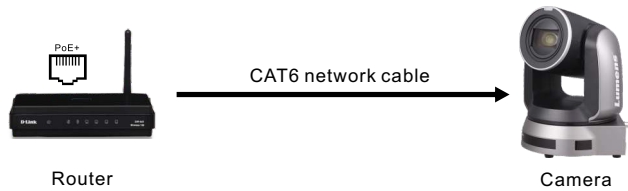
3.5 Combine the metal plate **A** and the metal plate **B**

- ▼ Push the metal plate **A** up to the ceiling and then to the right to latch the metal plate **B**.
- ▼ And then secure with **2 M3 silver screws** and **1 M3 black screw**.



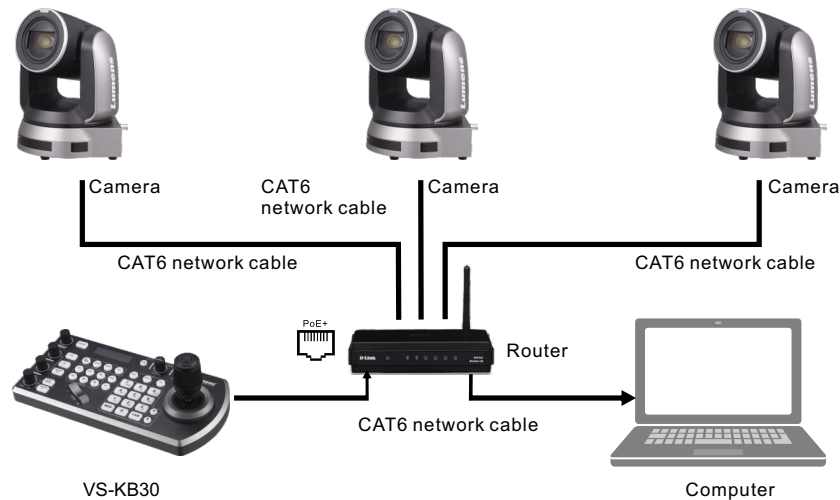
4. About the power supply

- Connect the DC12V power adapter for power supply
- Access power by using a router that supports PoE or connecting to a hub with a network cable
- ※ VC-A71P-HN supports PoE++(IEEE802.3bt)



5. Camera connection description

Connect one camera or multiple cameras, control keyboard and computer to the same router to control camera.



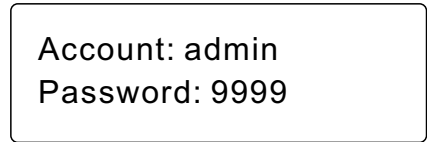
6. View camera IP image

6.1 Open your web browser and enter the IP address in the address bar.

- * The IP address can be verified on a connected monitor by clicking [MENU] => [Ethernet] => [IP Address] on the remote control
- * If camera connects to computer directly, not via DHCP router. The default IP address is 192.168.100.100.



6.2 Enter the user name and password to view the camera images, control the camera and manage advanced settings.



*For New Tek product operation or instructions, please go to <http://new.tk/NDIHX-Driver-Win>

* Please visit YouTube [My Lumens] channel to watch the related videos for instructions

A rectangular box containing the text "* Please visit YouTube [My Lumens] channel to watch the related videos for instructions" on the left and a QR code on the right.